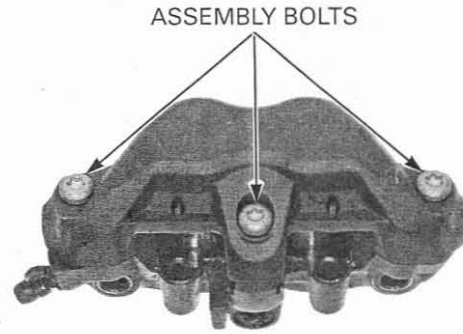


## HYDRAULIC BRAKE

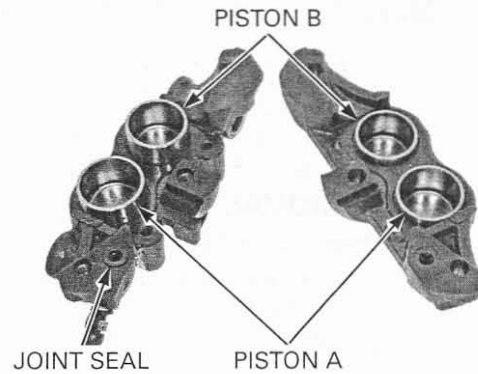
Remove the three caliper assembly torx bolts and separate the caliper halves.



Mark the pistons to ensure correct reassembly.

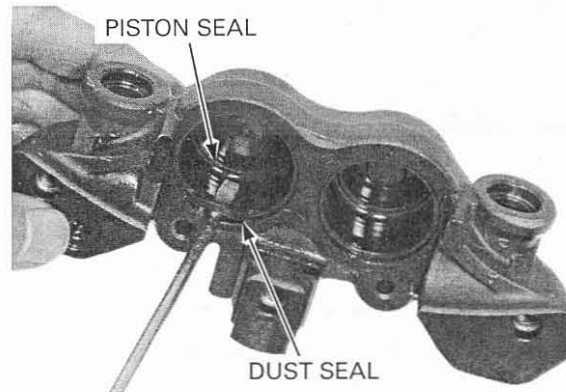
Remove the following:

- Joint seal
- Caliper piston A
- Caliper piston B



Be careful not to damage the piston sliding surface.

Push the dust seals and piston seals in and lift them out. Clean the seal grooves with clean brake fluid.



### INSPECTION

Check the caliper cylinder for scoring or other damage. Measure the caliper cylinder I.D.

#### SERVICE LIMITS:

- Cylinder A: 32.140 mm (1.2654 in)
- Cylinder B: 30.340 mm (1.1945 in)

