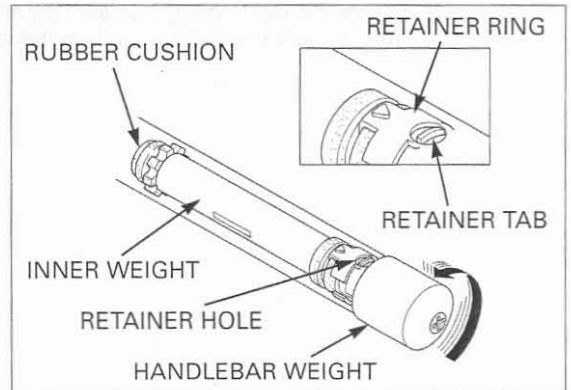


Insert the handlebar weight assembly into the handlebar.
 Turn the handlebar weight and hook the retainer ring tab with the hole in the handlebar.
 Remove the mounting screw and handlebar weight.



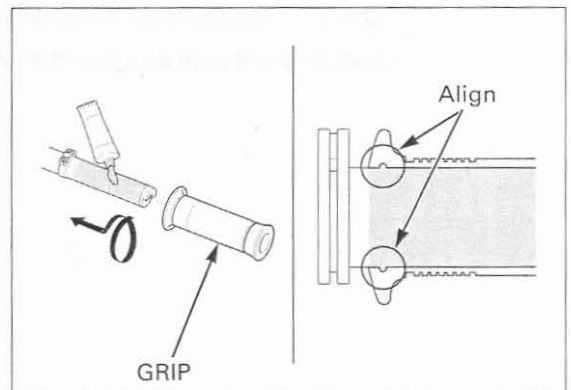
If you remove the right handlebar grip from the throttle pipe, install it in accordance with following procedure.

Apply Pro Honda Handgrip Cement or equivalent adhesive to the inside of the handlebar grip and to the clean surfaces of the throttle pipe.

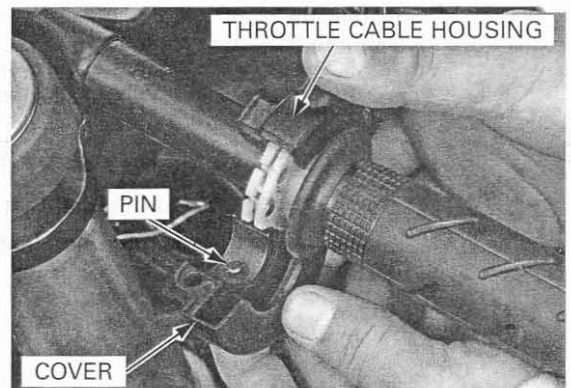
Wait 3 – 5 minutes and install the grip.

Allow the adhesive to dry for an hour before using.

Rotate the grip for even application of the adhesive, and align the inner groove of the grip with the index line of throttle pipe.



Install the throttle cable housing cover to the throttle pipe flange, aligning its locating pin with the hole in the handlebar.



Install and tighten the housing cover screws securely.

