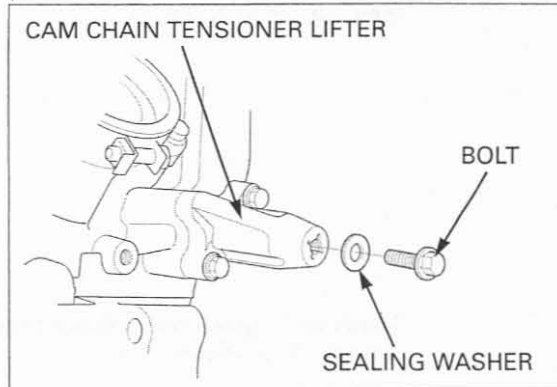


## CAM CHAIN TENSIONER LIFTER

### REMOVAL

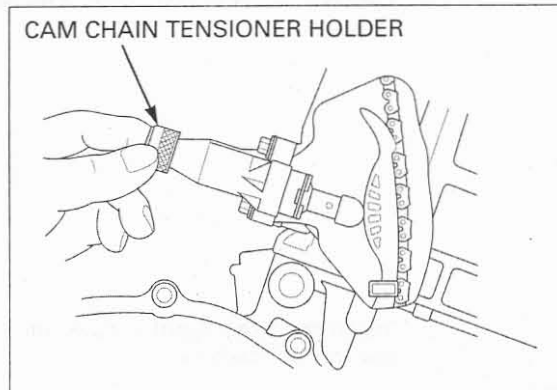
Remove the cam chain tensioner sealing bolt and sealing washer.



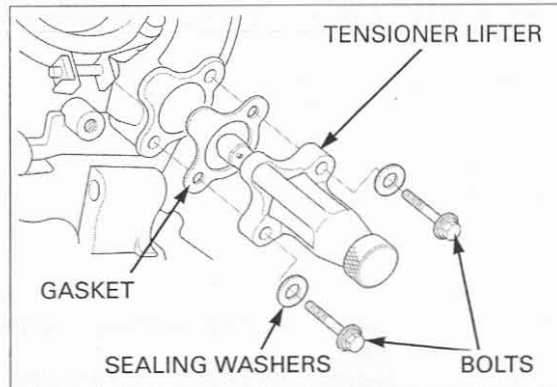
Turn the tensioner shaft fully in (clockwise) and secure it using the special tool to prevent damaging the cam chain.

### TOOL:

Cam chain tensioner holder 07ZMG-MCAA400 or 07NMG-MY90100



Remove the bolts, sealing washers, cam chain tensioner lifter and gasket.



### INSTALLATION

*Note the installation direction of the gasket.*

Install a new gasket onto the cam chain tensioner lifter.

Install the cam chain tensioner lifter into the cylinder head.

TENSIONER LIFTER

