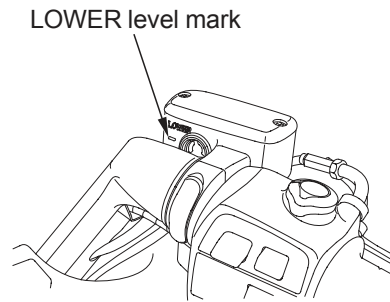


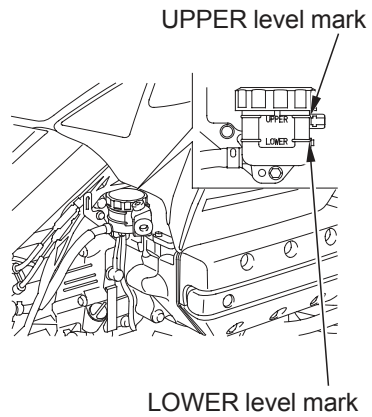
# Brakes

---

## RIGHT HANDLEBAR (Front Brake)



## RIGHT SIDE (Rear Brake)



1. Place your motorcycle in an upright position on a firm, level surface.
2. Check the fluid level.  
Front: It should be above the LOWER level mark.  
Rear: It should be between the UPPER and LOWER level marks.

If the level is at or below the LOWER level mark, check the brake pads for wear.

Worn pads should be replaced. If the pads are not worn beyond the recommended limit, have your brake system inspected for leaks.

### Other Inspections

- Make sure there are no fluid leaks.
- Check for deterioration or cracks in the hoses and fittings.