

iPod[®]/USB Flash Drive

You can also change or select playlists, artists and albums on the iPod[®] menu, use the TUNE/CH lever (see [page 138](#)).

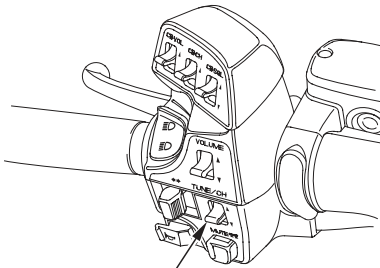
Use the TUNE/CH lever while an iPod[®] is playing to change files.

Push the TUNE/CH lever up to change to the next file.

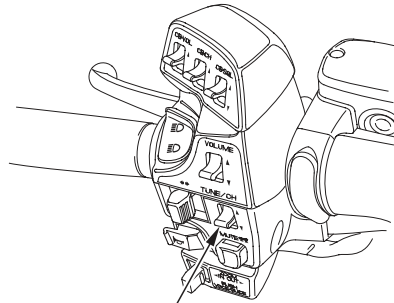
Push the TUNE/CH lever down to change to the previous file.

(Models not equipped with Navigation System)

(Models equipped with Navigation System)



TUNE/CH lever



TUNE/CH lever