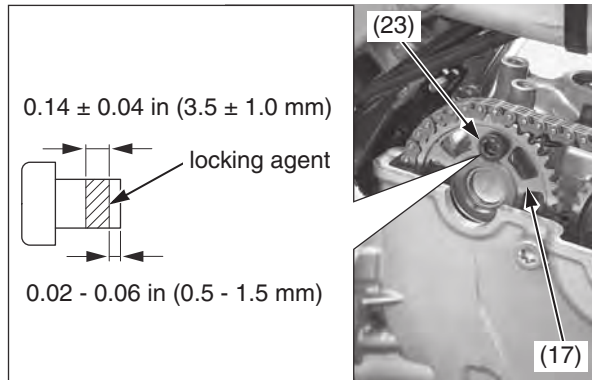


# Valve Clearance

19. Remove the cam sprocket bolt (23).  
Apply locking agent to the bolt threads.  
Install the cam sprocket bolt to the intake cam sprocket (17), and tighten the cam sprocket bolt to the specified torque:  
15 lbf·ft (20 N·m, 2.0 kgf·m)

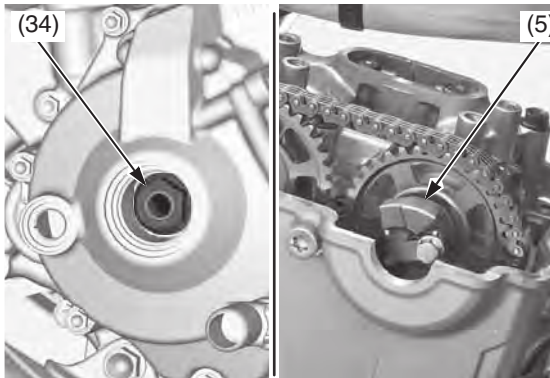
## NOTICE

*Do not let the cam sprocket bolt fall into the crankcase.*



(17) intake cam sprocket (23) cam sprocket bolt

20. Rotate the crankshaft by turning the flywheel (34) counterclockwise until the decompressor weight (5) faces up as illustrated below.

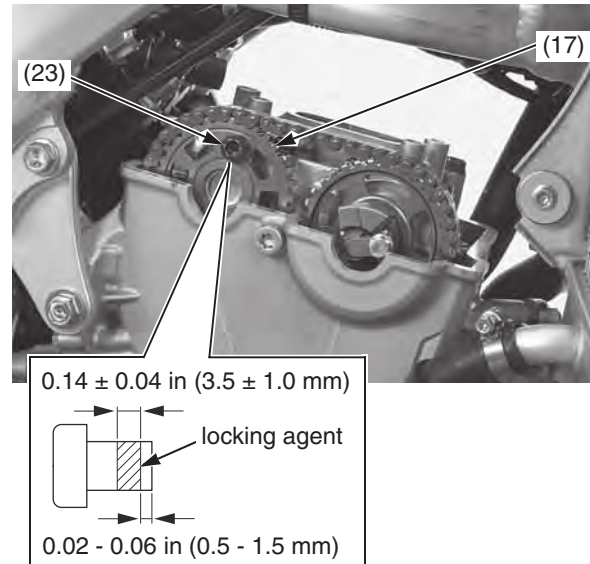


(5) decompressor weight (34) flywheel

21. Clean the threads of the cam sprocket bolt (23) and intake cam sprocket (17) thoroughly.  
Apply locking agent to the bolt threads.  
Install and tighten the cam sprocket bolt to the specified torque:  
15 lbf·ft (20 N·m, 2.0 kgf·m)

## NOTICE

*Do not let the cam sprocket bolt fall into the crankcase.*

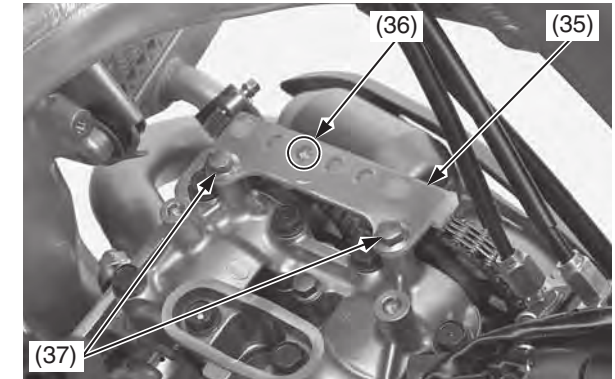


(17) intake cam sprocket  
(23) cam sprocket bolt

22. Install the cam chain guide (35) with the “←” mark (36) facing forward.  
Install and tighten the cam chain guide bolts (37) to the specified torque:  
7 lbf·ft (10 N·m, 1.0 kgf·m)

## NOTICE

*Do not let the cam chain guide bolts fall into the crankcase.*



(35) cam chain guide (36) “←” mark  
(37) cam chain guide bolts

23. Rotate the camshaft by rotating the flywheel counterclockwise several times.  
24. Measure the intake and exhaust valve clearances (page 83).