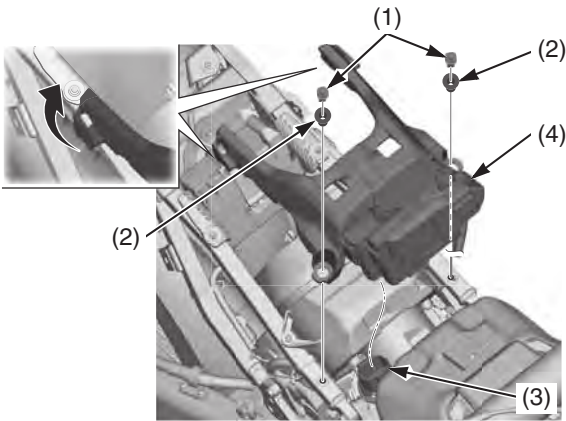


Subframe

Refer to *Important Safety Precautions* on page 23.

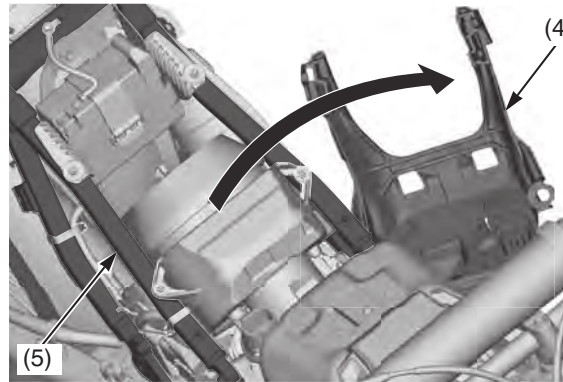
Removal

1. Remove the seat (page 33).
2. Remove the right and left shrouds (pages 34, 37).
3. Remove the right and left mufflers (page 131).
4. Remove the seat support base mounting bolts (1), and collars (2).
5. Disconnect the starter/ignition relay connector (3) and remove the seat support base (4).



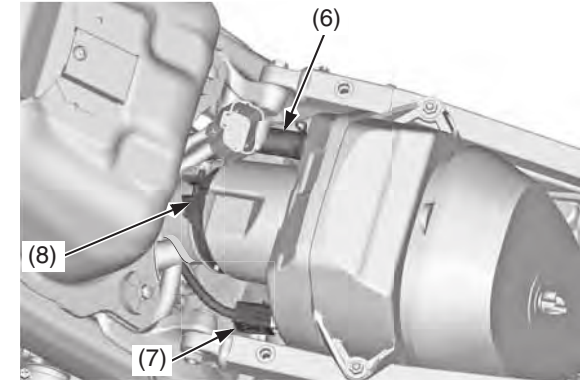
- (1) seat support base mounting bolts
(2) collars
(3) starter/ignition relay connector
(4) seat support base

6. Lift the seat support base (4) and hang it to the left of the subframe (5).



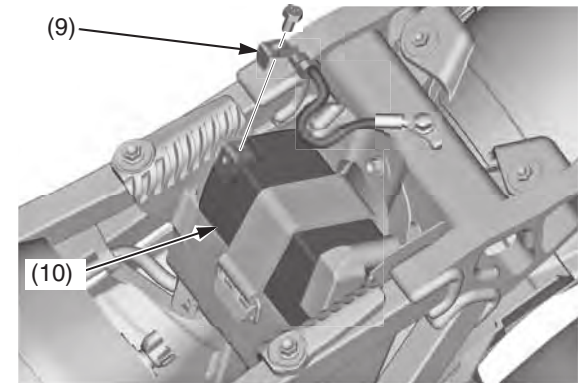
- (4) seat support base
(5) subframe

7. Disconnect the breather tube (6) and IAT sensor connector (7).
8. Loosen the air cleaner connecting tube clamp screw (8).



- (6) breather tube
(7) IAT sensor connector
(8) air cleaner connecting tube clamp screw

9. Disconnect the negative (-) terminal (9) from the battery (10).



- (9) negative (-) terminal
(10) battery