

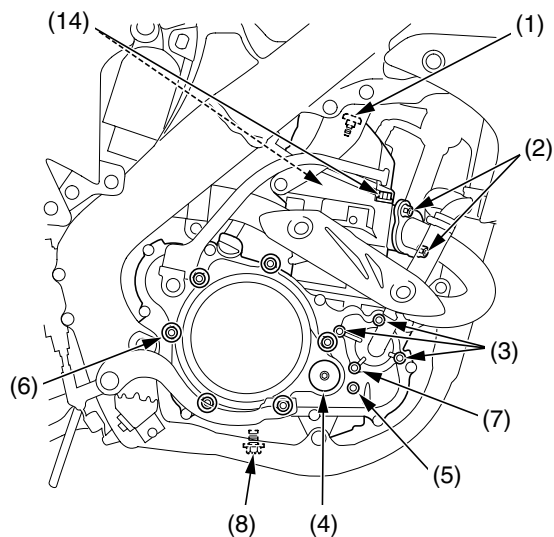
# Torque Specifications

## Nuts, Bolts, Fasteners

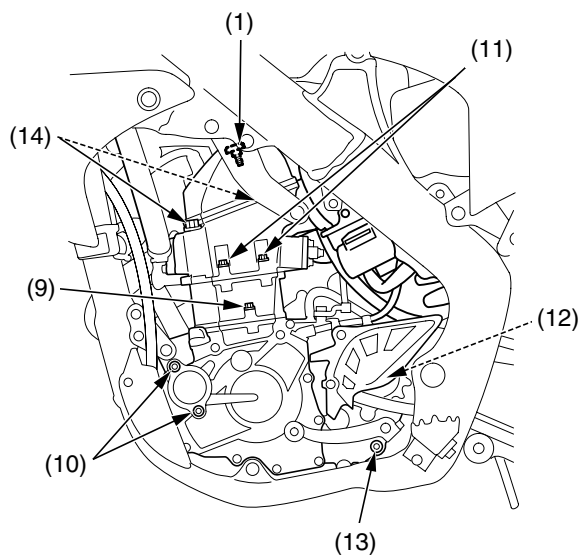
Check and tighten nuts, bolts, and fasteners before every outing.

Engine

RIGHT SIDE



LEFT SIDE



	Item	Torque			Remarks
		lbf•ft	N•m	kgf•m	
	<b>ENGINE</b>				
1	Cylinder head cover bolts	7	10	1.0	
2	Exhaust pipe joint nuts	15	21	2.1	
3	Water pump cover bolts	7	10	1.0	
4	Crankshaft hole cap	11	15	1.5	NOTE 1
5	Transmission oil check bolt	9	12	1.2	
6	Clutch cover bolts	7	10	1.0	
7	Coolant drain bolt	7	10	1.0	
8	Engine oil drain bolt	12	16	1.6	NOTE 2
9	Cylinder bolt	7	10	1.0	
10	Oil filter cover bolts	9	12	1.2	
11	Cylinder head bolts	7	10	1.0	
12	Drive sprocket bolt	23	31	3.2	
13	Transmission oil drain bolt	12	16	1.6	NOTE 2
14	Cylinder head stud bolts	33	45	4.6	NOTE 2

NOTES: 1. Apply grease to the threads.  
2. Apply oil to the threads.