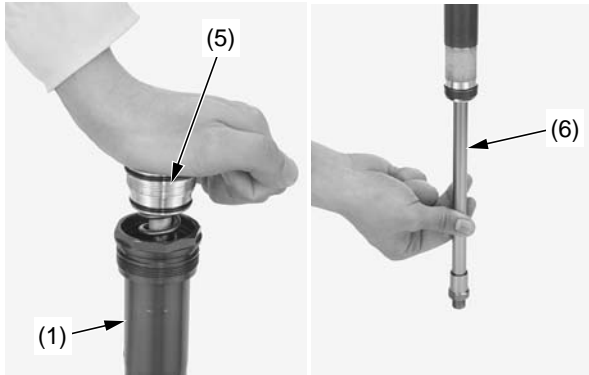


Front Suspension Adjustments

10. Extend the fork damper piston rod (6) to maximum length, holding it, install the fork cap assembly (5) to the fork damper (1).

Be careful not to damage the fork cap piston ring. If it is difficult to install the fork cap assembly, the fork damper oil level might be higher than standard oil level.

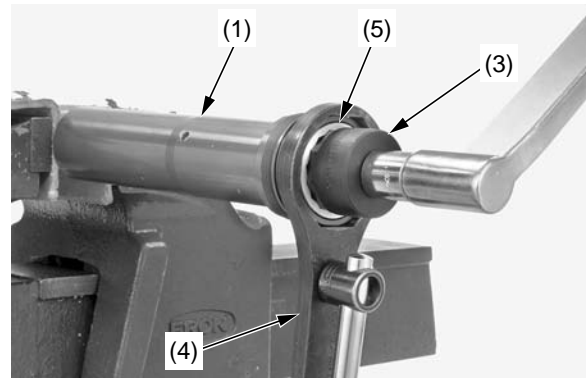


(1) fork damper
(5) fork cap assembly

(6) fork damper piston rod

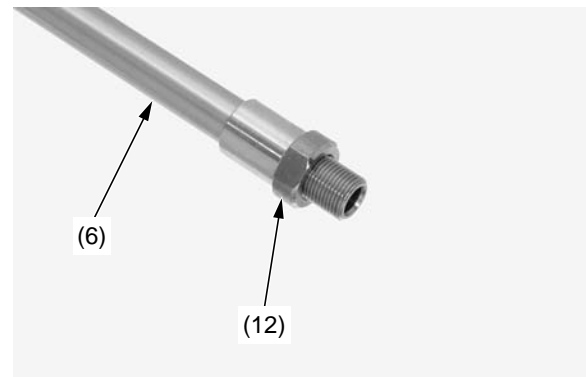
11. Place the fork damper (1) in a vise with a piece of wood or soft jaws to avoid damage. Tighten the fork cap assembly (5) using the fork cap bolt holder, 36 mm (3) while holding the cutout of the fork damper using the lock nut wrench (4) to the specified torque:
22 lbf·ft (30 N·m, 3.1 kgf·m)

- Fork cap bolt holder, 36 mm
070MB-MEN0100
- Lock nut wrench
07WMA-KZ30100



(1) fork damper
(3) fork cap bolt holder, 36 mm
(5) fork cap assembly
(4) lock nut wrench

12. Completely screw in the fork center bolt lock nut (12) to the fork damper piston rod (6).

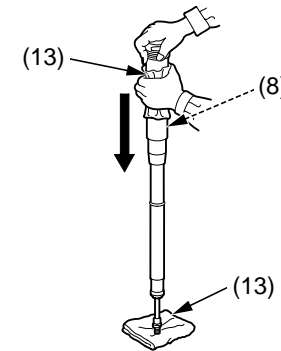


(6) fork damper piston rod
(12) fork center bolt lock nut

13. Check the fork damper piston rod sliding surface for damage.
14. Cover the fork damper piston rod end with shop towel (13) to prevent fork damage. Cover the oil holes with shop towel (13) to prevent blow out of fork oil. Blow the extra oil off from the fork damper oil chamber (8) by pumping the fork damper piston rod to full stroke.

NOTICE

Be careful not to bend or damage the fork damper piston rod when the piston rod is stroked.



(8) fork damper oil chamber
(13) shop towel

(cont'd)