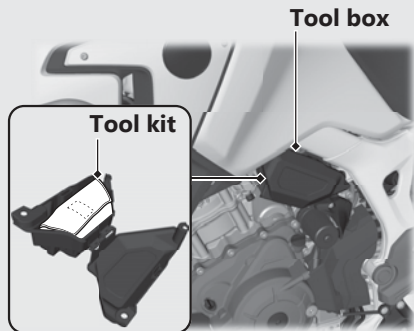


Storage Equipment *(Continued)*

Tool Kit

The tool kit is located in the tool box.

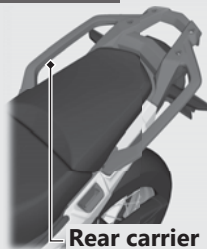


Rear Carrier

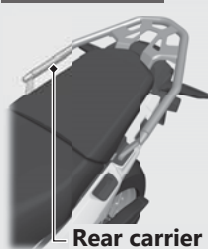
Never exceed the maximum weight limit.

Maximum Weight: 22 lb (10 kg)

CRF1000A/D



CRF1000A II/D II



Remove the tool box ➔ P.115