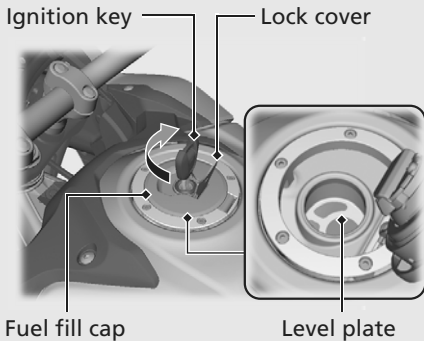


Refueling



Do not fill with fuel above the level plate.

Fuel type: Unleaded gasoline only

Recommended fuel octane number:

Pump Octane Number (PON) 86 or higher.

Tank capacity: 4.97 US gal (18.8 liters)

Refueling and Fuel Guidelines (P15)

Opening the Fuel Fill Cap

Open the lock cover, insert the ignition key, and turn it clockwise to open the fuel fill cap.

Closing the Fuel Fill Cap

- a After refueling, push the fuel fill cap closed until it locks.
- b Remove the key and close the lock cover.
 - u The key cannot be removed if the fuel fill cap is not locked.

3 WARNING

Gasoline is highly flammable and explosive. You can be burned or seriously injured when handling fuel.

- Stop the engine, and keep heat, sparks, and flame away.
- Handle fuel only outdoors.
- Wipe up spills immediately.