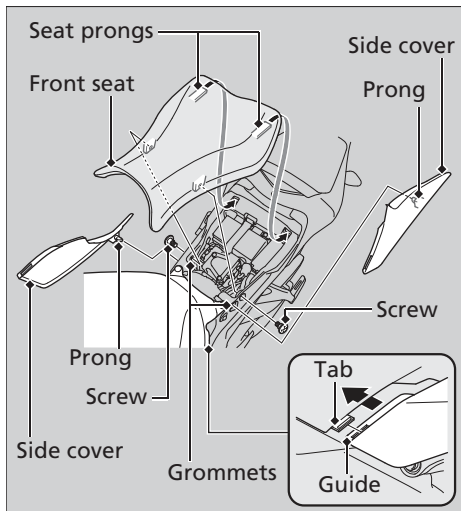


Front Seat



Removal

1. Remove the right and left side covers by releasing the tabs from the guides, and carefully pull the side cover out from the grommets.
2. Remove the screws, and then pull the front seat forward and up.

Installation

1. Insert the seat prong into the recess.
2. Install and tighten the screws securely.
3. Install the side covers by inserting the tabs into the guides, and align the side covers prong with the grommets.
Make sure that the seat is locked securely in position to pull it up lightly.