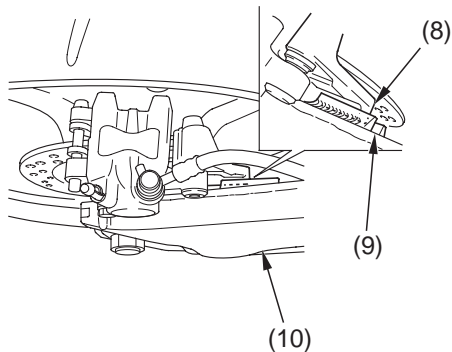


If You Have a Flat Tire

2. Make sure that the lug (8) on the rear brake bracket is positioned in the slot (9) on the swingarm (10).



(8) lug
(9) slot

(10) swingarm

3. Insert the rear axle shaft from the left side, through the left swingarm, wheel hub and rear brake bracket.
4. Install the drive chain by pushing the rear wheel forward.
5. Install the rear axle nut and tighten the drive chain adjusting bolts.
Refer to drive chain adjustment (page 163).
6. Tighten the rear axle nut to the specified torque:
83 lbf·ft (113 N·m , 11.5 kgf·m)
Failure to provide adequate disc-to-rear brake bracket clearance may damage the brake discs and impair braking efficiency.