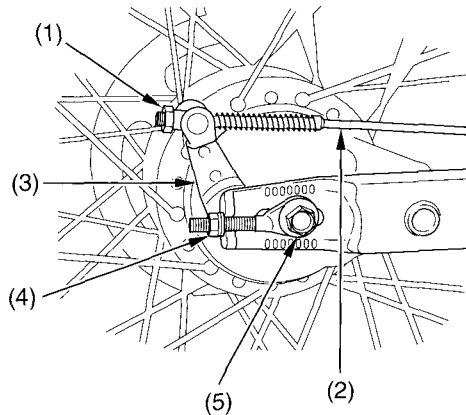


## Rear Wheel Removal

RIGHT REAR



(1) adjuster  
(2) brake rod  
(3) brake arm

(4) adjusting nut  
(5) axle nut

## Removal

1. Raise the rear wheel off the ground by placing a maintenance stand or support block under the engine. Secure the front of the motorcycle with tie-down straps.
2. Unscrew the rear brake adjuster (1). Press the rear brake pedal and disconnect the brake rod (2) from the brake arm (3).
3. Loosen the adjusting nut (4) on the chain adjuster on both sides.
4. Unscrew the axle nut (5). Pull the axle out. Push the wheel forward and derail the drive chain from the rear sprocket. Remove the wheel.

Take care to prevent getting grease, oil, or dirt on the brake shoe surfaces. This can cause poor brake performance or rapid brake shoe wear after reassembly.