

FINAL DRIVE OIL

Refer to the Safety Precautions on page 55 .

Change the oil as specified in the maintenance schedule.

Change the oil with the final drive at normal operating temperature and the motorcycle upright on level ground to assure complete and rapid draining.

1. To drain the oil, remove the oil filler cap (1) and oil drain plug (2).
2. After the oil has completely drained, check that the sealing washer (3) on the drain plug is in good condition and install the drain plug.

Drain Plug Torque:

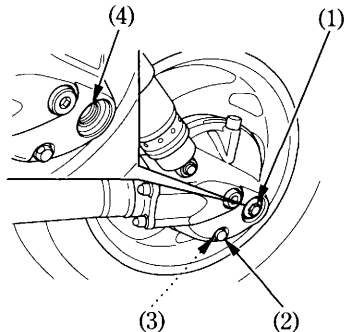
20 N·m (2.0 kgf·m , 14 lbf·ft)

3. Place the motorcycle on its side stand, fill the final drive with the recommended grade oil; approximately:

120 cm³ (4.1 US oz , 4.2 Imp oz)

Make sure the final drive is filled up to the lower edge of the inspection hole (4) with the recommended oil.

4. Install the oil filler cap.



- (1) Oil filler cap
(2) Oil drain plug

- (3) Sealing washer
(4) Inspection hole