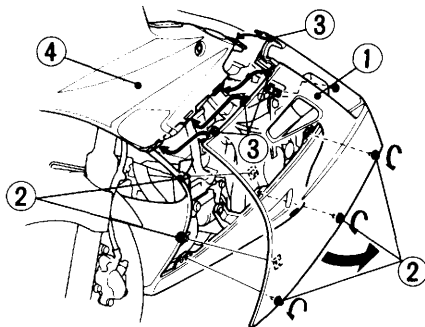


## MIDDLE FAIRING

To remove the middle fairing (1), turn the clips (2) 90° counterclockwise and pull the middle fairing out by releasing the tabs (3) from the upper fairing (4).

To install, reverse the removal procedure.



(1) Middle fairing

(2) Clips

(3) Tabs

(4) Upper fairing