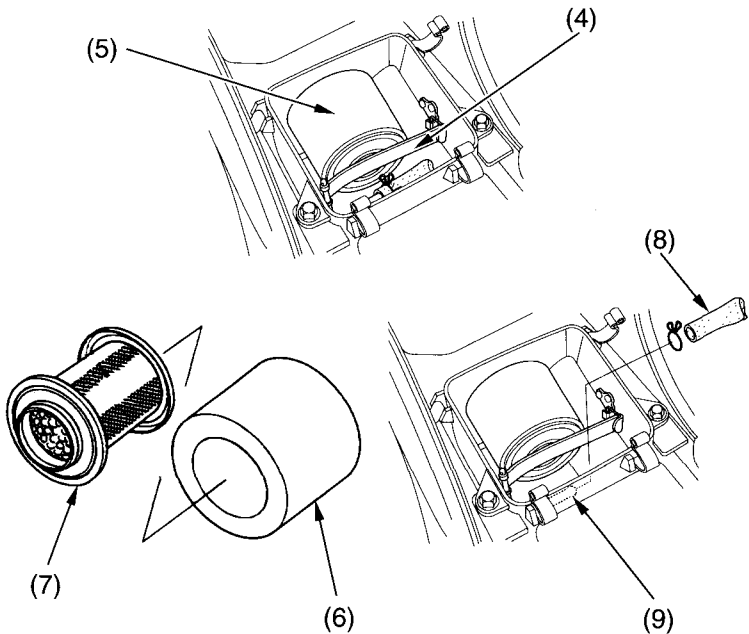


# Air Cleaner

4. Remove the set plate ( 4 ) and remove the air cleaner assembly ( 5 ) from the case.
5. Remove the air cleaner ( 6 ) from the air cleaner body ( 7 ).
6. Remove the sub air cleaner ( 8 ) from the air cleaner joint ( 9 ).
7. Gently wash the air cleaner and sub air cleaner in clean, non-flammable (high flash point) solvent such as kerosene — not gasoline. After cleaning, gently squeeze out the remaining solvent. Avoid twisting or wringing the air cleaner. This can tear the foam.

## UNDER SEAT



- (4) set plate
- (5) air cleaner assembly
- (6) air cleaner

- (7) air cleaner body
- (8) sub air cleaner
- (9) air cleaner joint