



Coolant

Radiator Core

Refer to *Safety Precautions* on page 77.

Check the air passages for clogging or damage. Remove insects, mud, or any obstruction with low water pressure. Have the radiator checked by your Honda dealer if the air flow is restricted over more than 20% of the radiator surface.

Clean the radiator core after riding the ATV in mud.

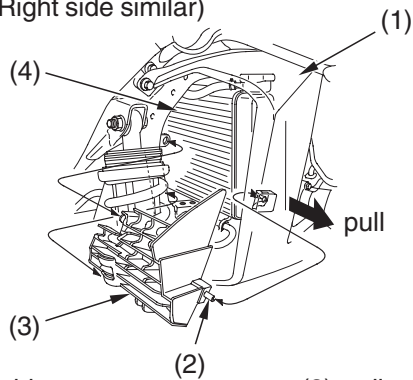
To clean the radiator core and radiator grill:

1. Pull the front side cover (1) outside, then pull out the boss (2) on the radiator grill (3) from the front side cover.
2. Remove the radiator grill. Be careful not to let the radiator grill come into contact with the radiator core (4), damaging it.



Right and left radiator grills can be removed in the same manner.

LEFT SIDE (Right side similar)



(1) front side cover
(2) boss

(3) radiator grill
(4) radiator core

