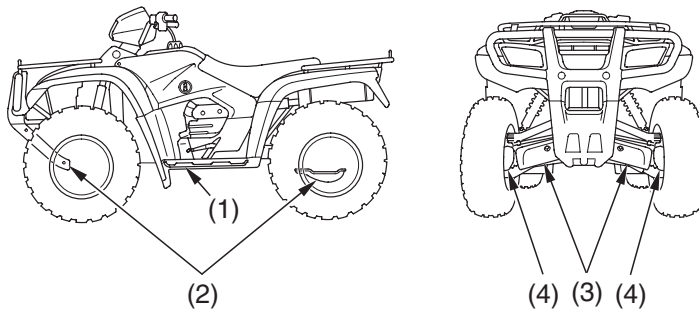




Guards

Refer to *Safety Precautions* on page 95 .



(1) engine guard
(2) skid plates

(3) front boot guards
(4) front driveshaft guards



The engine guard (1) protects the engine crankcase, and the skid plates (2) protect the frame and rear final gear case.

The front boot guards (3) protect the rubber driveshaft boots, and the front driveshaft guards (4) protect the front driveshaft.

Check all these parts for cracks or damage, and replace them as required.
If any fasteners are loose, tighten them securely.

