

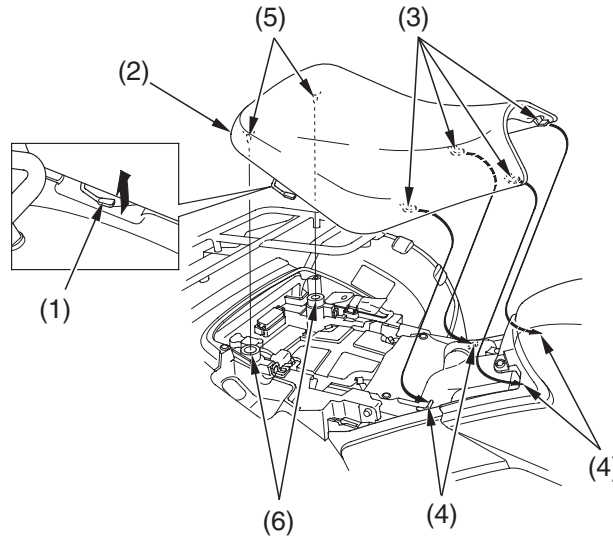


## Seat Removal

---

Refer to *Safety Precautions* on page 95 .

The seat must be removed for the air cleaner, spark plug, battery and fuse maintenance and to access the owner's manual and tool kit.



- |                     |              |
|---------------------|--------------|
| (1) seat lock lever | (4) hooks    |
| (2) seat            | (5) studs    |
| (3) front prongs    | (6) grommets |

### Removal

1. Pull the seat lock lever ( 1 ) at the right side of the seat.
2. Slide the seat ( 2 ) back and lift it.

### Installation

1. Insert the front prongs ( 3 ) into the hooks ( 4 ) on the frame and press the studs ( 5 ) into the grommets ( 6 ).
2. Press down on the seat until locks.

## 106 Servicing Your Honda