



Differential Oil

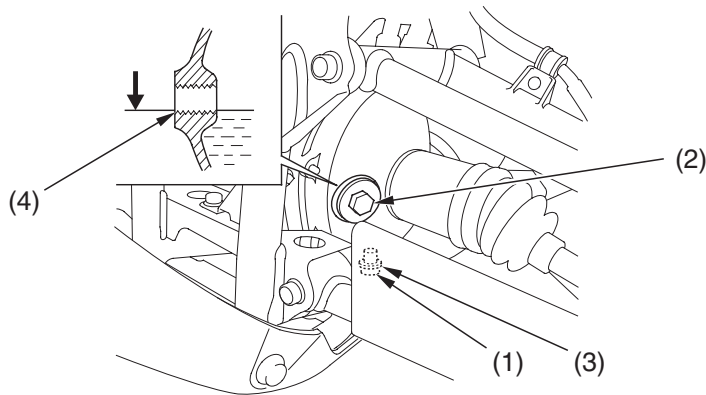
1. Park the ATV on level ground.
2. Place an oil drain pan under the oil drain plug (1).
3. Remove the oil filler cap (2), drain plug and sealing washer (3).
4. After the oil has completely drained, reinstall the drain plug with a new sealing washer and tighten it to the specified torque:
9 lbf·ft (12 N·m , 1.2 kgf·m)
5. Pour the drained oil into a suitable container and dispose of it in an approved manner (page 238).

NOTICE

Improper disposal of drained fluids is harmful to the environment.

6. Fill the differential with the recommended oil.
6.3 US oz (185 cm³)
Make sure the oil level is at the lower edge of the oil filler inspection hole (4).
7. Install the oil filler cap.

FRONT



(1) oil drain plug
(2) oil filler cap

(3) sealing washer
(4) oil filler inspection hole

