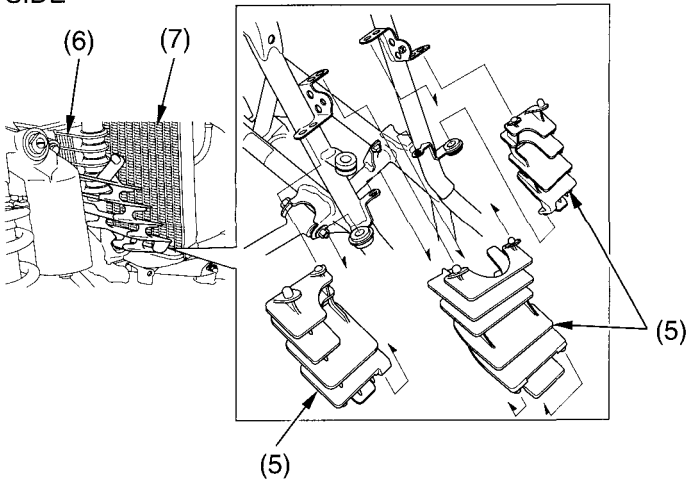


4. Remove the radiator grills (5) from the frame.
5. Wash the radiators grills, oil cooler (6), and radiator core (7).

NOTICE

High pressure water (or air) can damage the radiator core and oil cooler.

LEFT SIDE



(5) radiator grills
(6) oil cooler

(7) radiator core