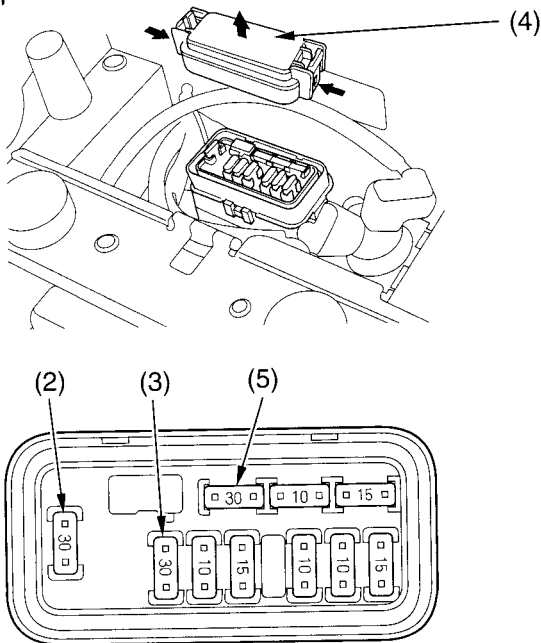


If a Fuse Blows

Main Fuse Access

1. To prevent an accidental short circuit, turn the ignition switch OFF (○) before checking or replacing the fuses.
2. Remove the seat (page 104).
3. Remove the fuse box cover (4).
4. Pull the old fuse out of the clips.
5. Push a new fuse into the clips and install the fuse box cover.
6. Install the seat.

UNDER SEAT



(2) main fuse
(3) main fuse
(control motor fuse)

(4) fuse box cover
(5) spare main fuse