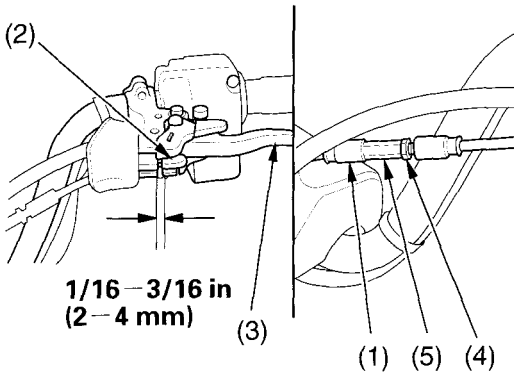


Clutch System

Reverse Lock System Adjustment

Refer to *Safety Precautions* on page 93 .

LEFT HANDLEBAR



- (1) rubber sleeve
(2) reverse assist lever
(3) rear brake lever
(4) lock nut
(5) adjusting nut

1. Slide the rubber sleeve (1).
2. Check the reverse assist lever (2) freeplay, measured at the rear brake lever (3) end near the cable:
1/16 – 3/16 in (2 – 4 mm)
3. To adjust, loosen the lock nut (4) and turn the adjusting nut (5).
After adjustment, tighten the lock nut securely.
4. Return the rubber sleeve.

Other Checks

Check the reverse assist lever and cable for loose connections or other damage. If the cable is worn or kinked, have it replaced by your Honda dealer.