



# Controls & Features

## 2WD/4WD Select Lever (Except TRX420TE )

Your ATV is equipped with a 2WD/4WD select lever ( 1), which permits a choice between the “2WD” and “4WD” drive modes. Select a drive mode that’s suitable for your riding.

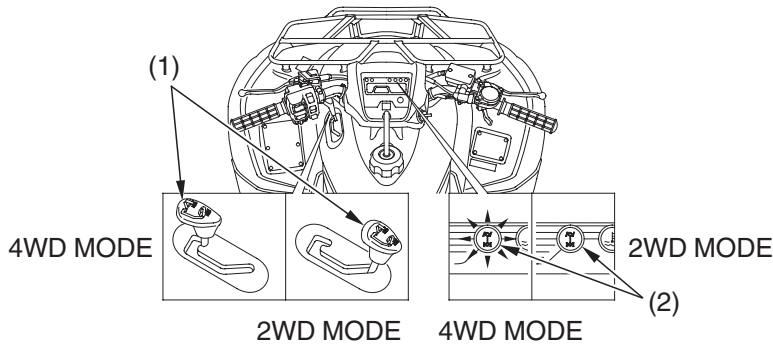
Keep both hands on the handlebar while machine is in motion and come to a complete stop before using the 2WD/4WD select lever.

The 2WD/4WD select lever is located on the left side of the fuel tank. To select the drive mode, shift the 2WD/4WD select lever to the desired position.

After using the 2WD/4WD select lever, the mode may not mechanically engage until forward motion begins.

To check your present drive mode, look at the 4WD indicator ( 2).

2WD mode : the 4WD indicator goes off when the 2WD mode engages.  
4WD mode : the 4WD indicator goes on when the 4WD mode engages.



(1) 2WD/4WD select lever

(2) 4WD indicator

