

SERIAL NUMBERS

The frame, engine and key numbers (Fig 5-1) will be needed when you order replacement parts. Record the numbers here for your reference.

The frame serial number (2) is stamped on the front of the frame. The engine serial number (3) is stamped on the rear crankcase.

KEY NO. _____

FRAME NO. _____

ENGINE NO. _____

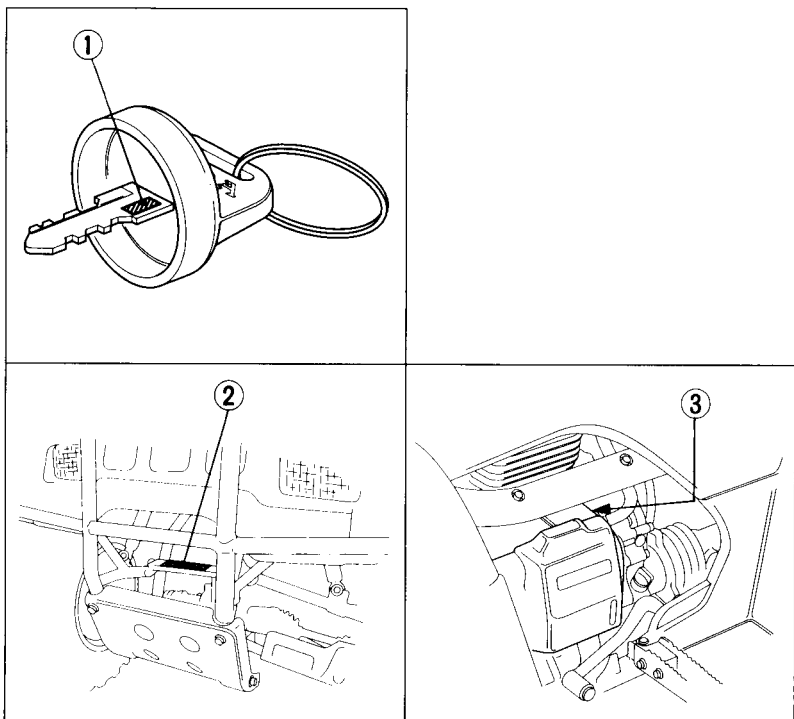


Fig. 5-1 (1) Key number (2) Frame number (3) Engine number