

To replace the main fuse:

1. Make sure the ignition switch is OFF.

CAUTION:

Turn the ignition switch OFF before checking or replacing the fuse to prevent accidental short-circuiting which could damage the electrical system.

2. Remove the seat (page 128).
3. Remove the main fuse box.
4. Replace the old fuse.
5. Reinstall the fuse box.
6. Install the seat.

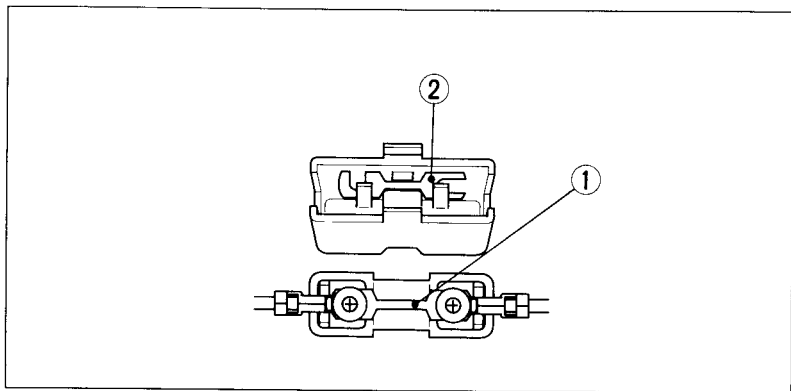


Fig. 4-21

(1) Main fuse

(2) Spare fuse

To replace the sub fuses:

1. Make sure the ignition switch is OFF.

CAUTION:

Turn the ignition switch OFF before checking or replacing the fuse to prevent accidental short-circuiting which could damage the electrical system.