

- (21) Fuel valve
- (22) Starting primer knob
- (23) Storage compartment, containing:
 - Tool kit
 - Air pressure gauge
 - Owner's manual
- (24) Gearshift pedal
- (25) Oil filter cap / dipstick
- (26) Left footpeg
- (27) Trailer hitch

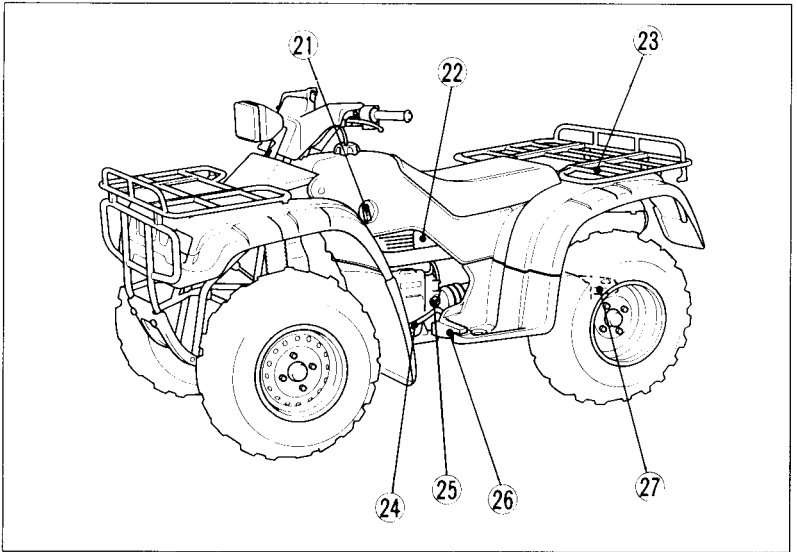


Fig. 2-3

Left side of FOURTRAX