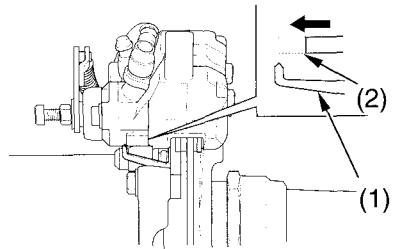
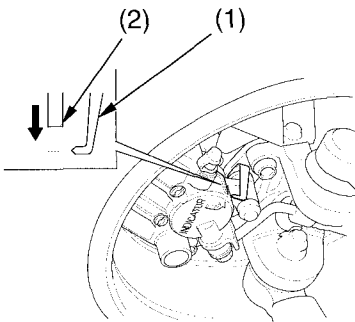


## Brake Pad Wear

Refer to *Safety Precautions* on page 75 .

Brake pad wear will depend upon the severity of usage and riding conditions. The pads will wear faster in wet or muddy conditions. Inspect the pads visually during all regular service intervals to determine the pad wear.

RIGHT FRONT (Left side similar)      REAR



(1) wear indicator

(2) edge of reference mark

Front brake pads/Rear brake pads—If the wear indicator (1) aligns with the edge of the reference mark (2), both pads must be replaced, see your Honda dealer for this replacement.

Always inspect both pads in both the right and left front brake calipers.