

SKID AND GUARD PLATES

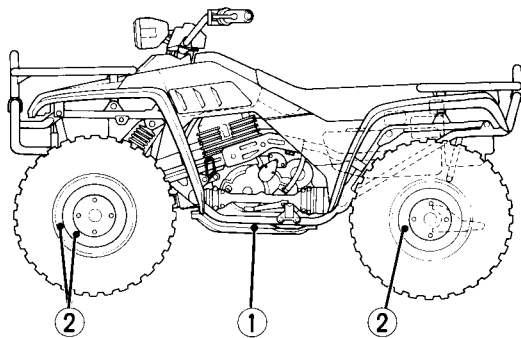
Skid (1) and guard (2) plates protect the engine, front and rear differential and front axle from rocks. Check the plates for cracks, damage or looseness at intervals shown in the Maintenance Schedule.

Replace the plates with new ones if they are cracked or damaged.

Retighten the plate bolts if they are loose.

Torques:

8 mm bolts: 1.8–2.5 kg-m (13–18 ft-lb)



(1) Skid Plate (2) Guard plates