

# Tool Kit

---

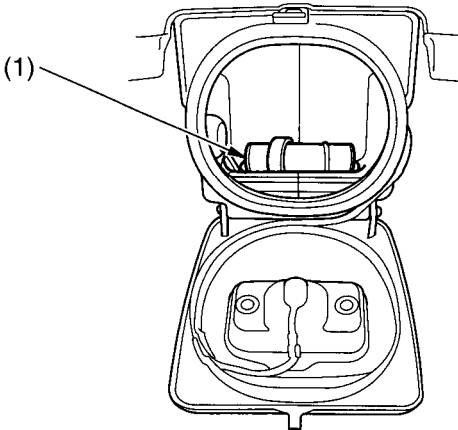
The tool kit (1) is stored in the storage compartment below the rear cargo rack.

The tools in the kit are sufficient to perform routine maintenance and simple repairs. Any extensive work requiring additional tools should be performed by your Honda dealer.

The tool kit includes the following items:

- \* standard/Phillips screwdriver
- \* screwdriver handle
- \* 10 × 12 mm open end wrench
- \* 14 × 17 mm open end wrench
- \* spark plug wrench and handlebar
- \* pliers
- \* tool case

REAR



(1) tool kit