

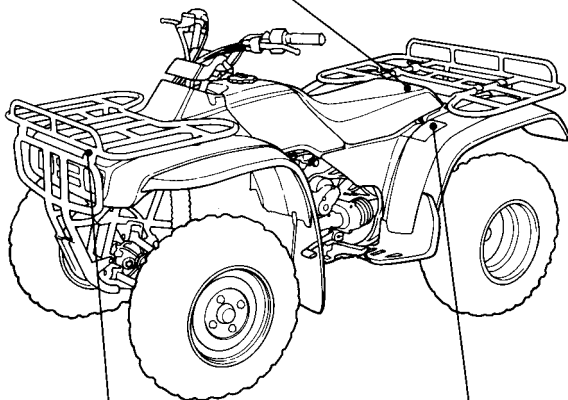
⚠ WARNING

Riding as a passenger can cause the ATV to go out of control.

Loss of control can cause a collision or rollover, which can result in severe injury or death.

NEVER ride as a passenger.

HC4-975



⚠ WARNING

Overloading this ATV or carrying cargo improperly can change handling, stability, and braking performance and can lead to an accident.

Never exceed the maximum front cargo limit of: **66 lbs (30 kg)**.

Refer to instructions in the Owner's Manual.

HC4-900

⚠ WARNING

Improper tire pressure or overloading can cause loss of control.

Loss of control can result in severe injury or death.

● Cold tire pressure:

Front : **4.4 ± 0.6 psi 0.30 ± 0.04 kg/cm²**

Rear : **2.9 ± 0.4 psi 0.20 ± 0.03 kg/cm²**

● Maximum weight capacity: **485 lbs. (220 kg)**

HC4-975