

⚠ WARNING

Riding as a passenger can cause the ATV to go out of control.

Loss of control can cause a collision or rollover, which can result in severe injury or death.

NEVER ride as a passenger.

HC4-910

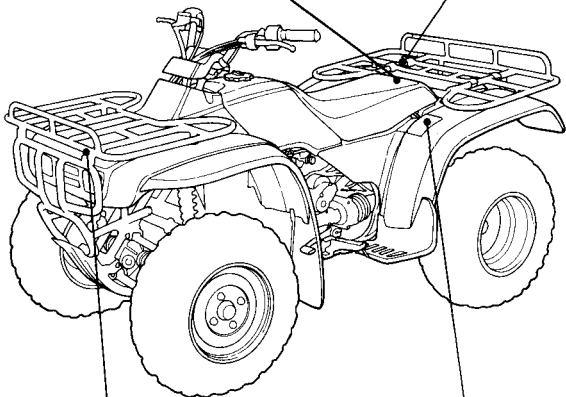
⚠ WARNING

Overloading this ATV or carrying cargo improperly can change handling, stability, and braking performance and can lead to an accident.

Never exceed the maximum rear cargo limit (combined weight on the rear rack and in the storage area) of: **133 lbs (60 kg)**.

Refer to instructions in the Owner's Manual.

HC4-900



⚠ WARNING

Overloading this ATV or carrying cargo improperly can change handling, stability, and braking performance and can lead to an accident.

Never exceed the maximum front cargo limit of: **66 lbs (30 kg)**.

Refer to instructions in the Owner's Manual.

HC4-900

⚠ WARNING

Improper tire pressure or overloading can cause loss of control.

Loss of control can result in severe injury or death.

● Cold tire pressure;

Front : **4.4±0.6 psi 0.30±0.04 kg/cm²**

Rear : **2.9±0.4 psi 0.20±0.03 kg/cm²**

● Maximum weight capacity; **485 lbs. (220 kg)**

HC4-910