

**[Australia model only]**

- (25) Horn button
- (26) Speedometer
- (27) Hourmeter

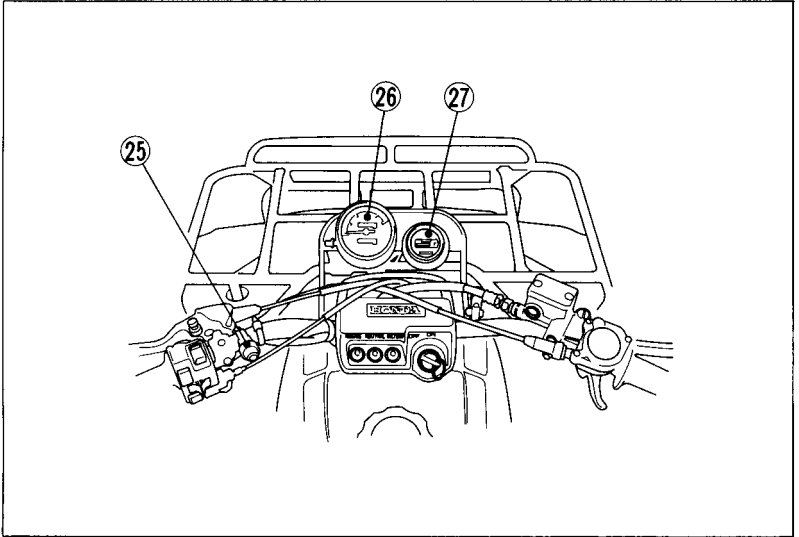


Fig. 2-4

Handlebars, from rider's point of view