

7. Soak the air cleaner in Pro Honda Foam Filter Oil or an equivalent [Canadian Vehicles: gear oil (SAE 80–90)] until saturated, then squeeze out the excess oil.

**CAUTION:**

**Twisting the air cleaner when squeezing out excess oil could damage the air cleaner.**

8. Reassemble by reversing the disassembly sequence.

**Dust Cover**

Do not push the dust cover (1) into the air cleaner housing (2). If the dust cover is dirty, clean it.

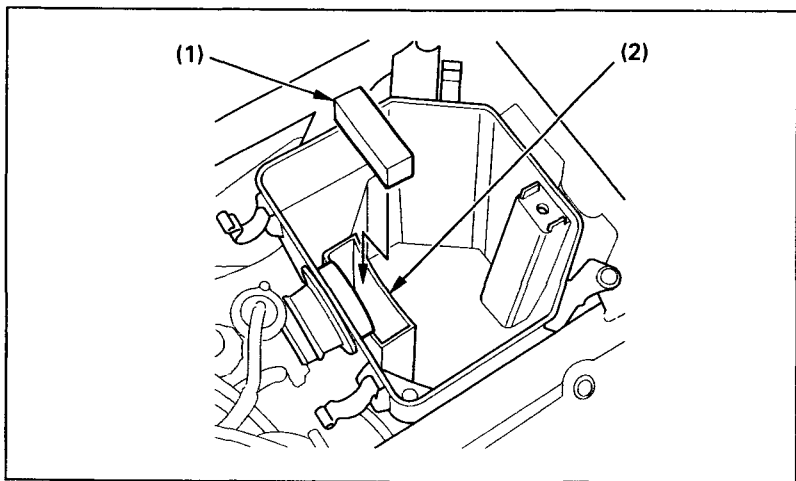


Fig. 4-6

(1) Dust cover  
(2) Air cleaner housing