

3. Remove the screws (2) (Fig. 4-5) and remove the air cleaner assembly (1) from the air cleaner housing.
4. Unscrew the clamp (3).
5. Remove the air cleaner (4) from the air cleaner body (5).

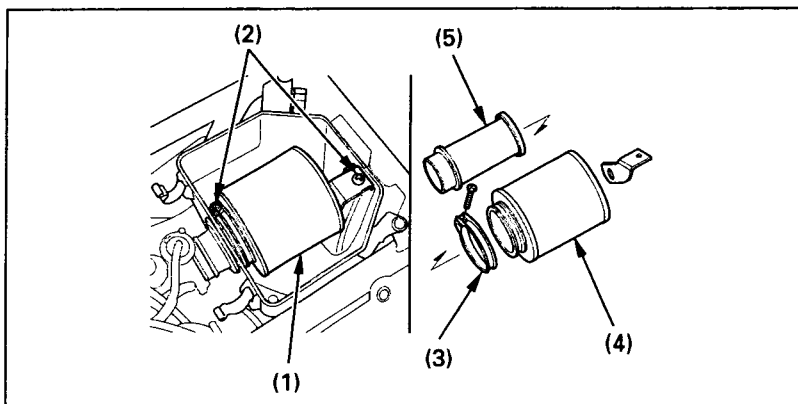


Fig. 4-5 (1) Air cleaner assembly (2) Screws (3) Clamp (4) Air cleaner (5) Air cleaner body

6. Gently wash the air cleaner in clean, non-flammable (high flash point) solvent such as kerosene — not gasoline. Allow the air cleaner to dry thoroughly before applying oil. A wet air cleaner will not fully absorb the oil.

⚠ WARNING

POTENTIAL HAZARD

Using gasoline or low flash point solvents for cleaning ATV parts.

WHAT CAN HAPPEN

A fire or explosion could result.

HOW TO AVOID THE HAZARD

Use only a nonflammable or high flash point solvent to clean ATV parts.