

---

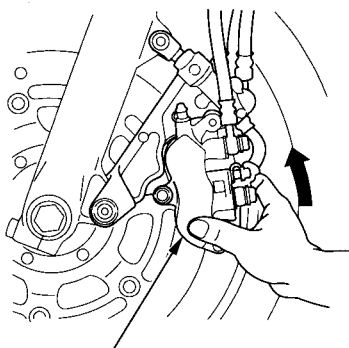
## BRAKE SYSTEM INSPECTION

Refer to the Safety Precautions on page 82 .

Check the brake system as follows:

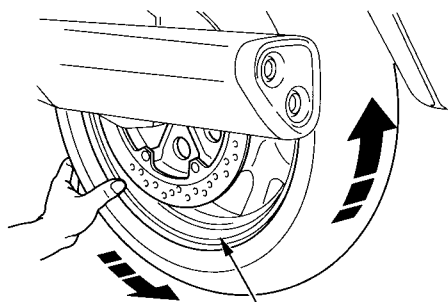
1. Place the motorcycle on its center stand, stop the engine, and place the transmission in neutral.
2. Move the left caliper assembly upward while slowly rotating the rear wheel. The brake system is normal if the rear wheel stops. If the rear wheel does not stop, see your Honda dealer.

FRONT



Left caliper assembly

REAR



Rear wheel