

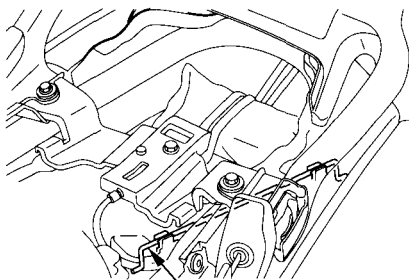
FEATURES

(Not required for operation)

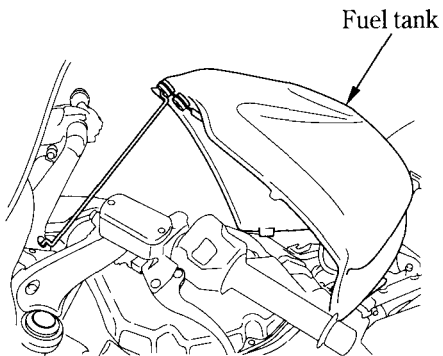
6. Remove the tank open rod from under the seat.
7. Raise the front of the fuel tank and place the tank open rod between the front of the fuel tank and steering stem.

Do not raise the fuel tank higher than the wire allows.

8. Tighten the pivot bolt.



Tank open rod



Fuel tank