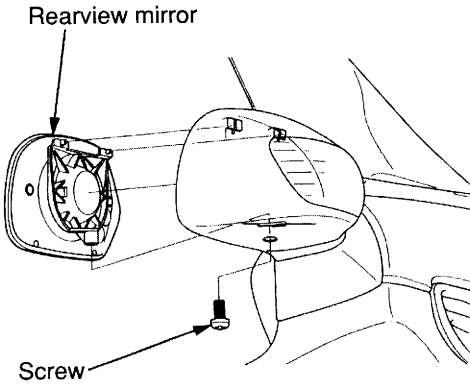


---

## Front/Turn Signal Bulb

1. Remove the rearview mirror by removing the screw.



2. Turn the socket approximately 45° counterclockwise, then pull it out toward you.
3. Pull out the bulb without turning.
4. Install a new bulb in the reverse order of removal.

