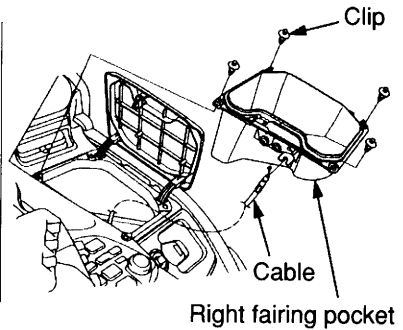
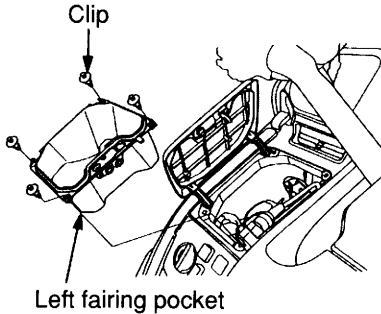


MAINTENANCE

High Beam Headlight Bulb

1. Open the fairing pocket cover and remove the Four clips.
2. Remove the cable from right fairing pocket.



3. Pull off the socket without turning.
4. Remove the dust cover.
5. Remove the bulb while pressing down on the pin.
6. Pull out the bulb without turning.
7. Install a new bulb in the reverse order of removal.
 - Install the dust cover with its "TOP" mark facing up.

