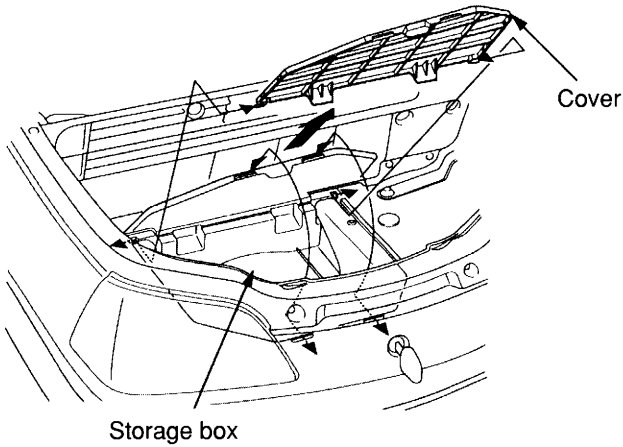

Storage Box:

Your motorcycle has a storage box in the travel trunk. To open the storage box, push forward on the cover and raise it.



Alternate method to open the saddlebag:

If a saddlebag becomes jammed and will not open by using its rear latch lever:

1. Open the travel trunk and remove the plug from the right or left access hole in the floor of the trunk.
2. Put your finger through the access hole and push the rod to open the saddlebag.

