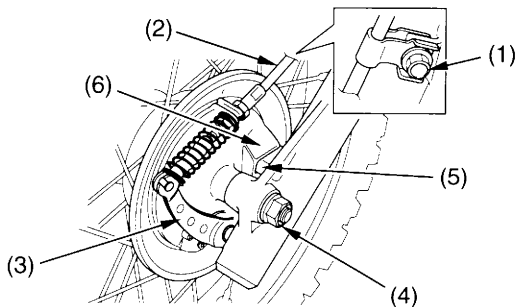


Wheels

3. Rotate the wheel slowly to see if it appears to “wobble.” If it does, the rim is out of round or not “true.” If the wobble is noticeable, see your Honda dealer for inspection.

Front Wheel Removal



- | | |
|-----------------------|--------------------|
| (1) cable guide bolt | (4) front axle nut |
| (2) front brake cable | (5) lug |
| (3) brake arm | (6) slot |

Removal

1. Raise the front wheel off the ground by placing a maintenance stand or support block under the engine. Secure the rear of the motorcycle with tie-down straps.
2. Loosen the cable guide bolt (1) on the fork leg.
3. Disconnect the front brake cable (2) from the brake arm (3).
4. Remove the front axle nut (4) and front axle shaft.
5. Remove the wheel.
6. Pull the brake assembly out carefully.