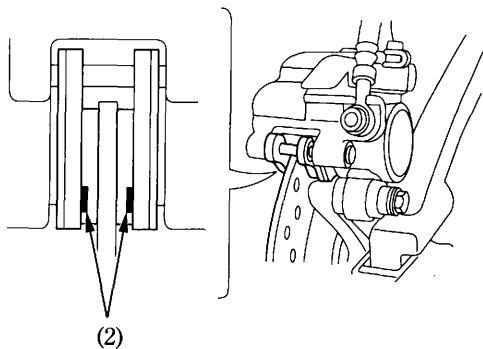


Rear Brake

Check the cutout (2) in each pad.
If either pad is worn to the cutout, replace both pads as a set. See your Honda dealer for this service.

〈 REAR BRAKE 〉



(2) Cutouts