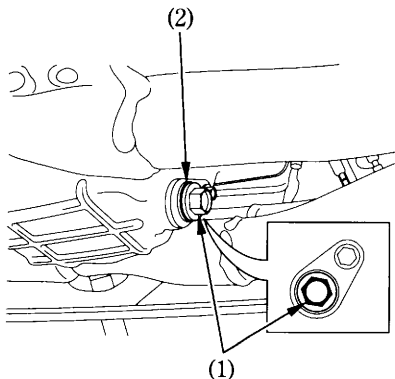
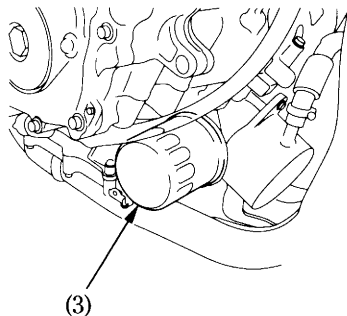


1. Remove the right middle cowl (page 74 ).
2. Remove the right lower cowl (page 77 ).
3. To drain the oil, remove the oil filler cap, crankcase drain plug (1) and sealing washer (2).



(1) Crankcase drain plug    (2) Sealing washer

4. Remove the oil filter (3) with a filter wrench and let the remaining oil drain out. Discard the oil filter.



(3) Oil filter