

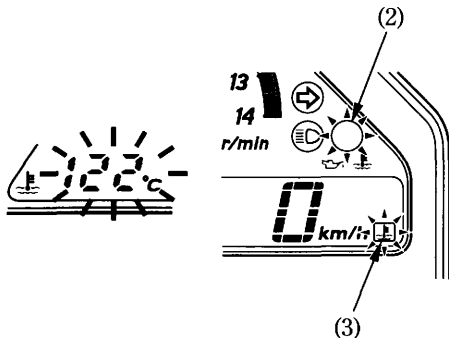
Overheating Message

When the coolant temperature reaches 122°C, the display begins to flash. At the same time, the red malfunction indicator (MIL) (2) and the coolant temperature indicator (3) lights.

If this occurs, stop the engine and check the reserve tank coolant level. Read pages 45 – 46 and do not ride the motorcycle until the problem has been corrected.

NOTICE

Exceeding maximum running temperature may cause serious engine damage.



- (2) Malfunction indicator (MIL)
- (3) Coolant temperature indicator