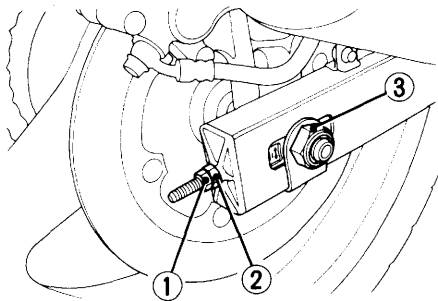


## Rear Wheel Removal

(Refer to the maintenance precautions on page 54).

1. Place the motorcycle on the center stand.
2. Loosen the drive chain adjusting nut lock nuts (1) and adjusting nuts (2).
3. Remove the rear axle nut (3).
4. Remove the drive chain (4) from the driven sprocket by pushing the rear wheel forward.

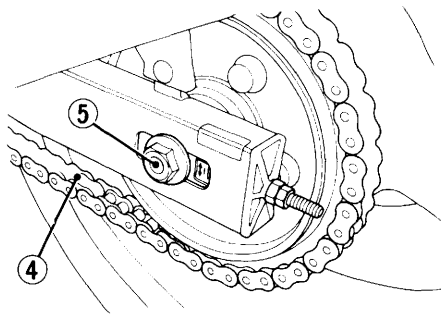


- (1) Lock nuts                      (3) Axle nut  
(2) Adjusting nuts

5. Remove the axle shaft (5), side collar and rear wheel from the swingarm.

### NOTE:

- \* Do not depress the brake pedal while the wheel is off the motorcycle. The caliper piston will be forced out of the cylinder with subsequent loss of brake fluid. If this occurs, servicing of the brake system will be necessary. See your authorized Honda dealer for this service.



- (4) Drive chain                      (5) Axle shaft