

## Engine Oil and Filter

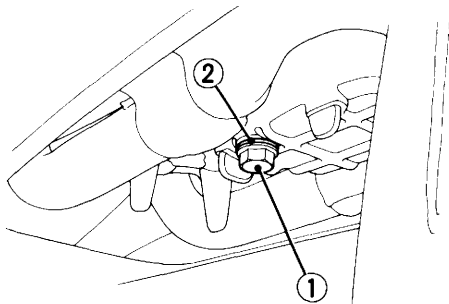
Engine oil quality is the chief factor affecting engine service life. Change the engine oil as specified in the maintenance schedule (page 49).

### NOTE:

- \* Change the engine oil with the engine at normal operating temperature and the motorcycle on its center stand to assure complete and rapid draining.

### CAUTION:

- \* **To prevent oil leaks and filter**



(1) Oil drain plug

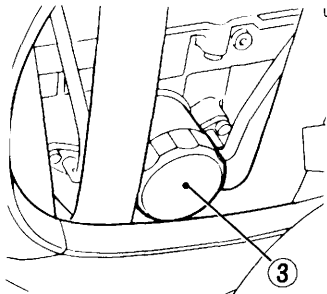
(2) Sealing washer

**damage, never support the engine on the oil filter.**

1. To drain the oil, remove the oil filler cap/dipstick and crankcase drain plug (1) and sealing washer (2).

### ⚠ WARNING

- \* **A warmed-up engine and the oil in it are hot; be careful not to burn yourself.**
2. Remove the oil filter (3) with a filter wrench and let the remaining oil drain out. Discard the oil filter.



(3) Oil filter