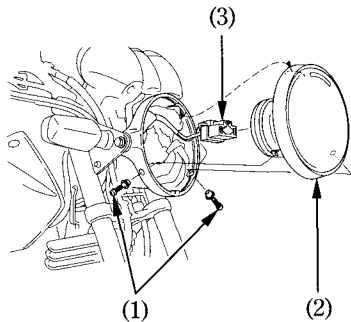


## Headlight Bulb

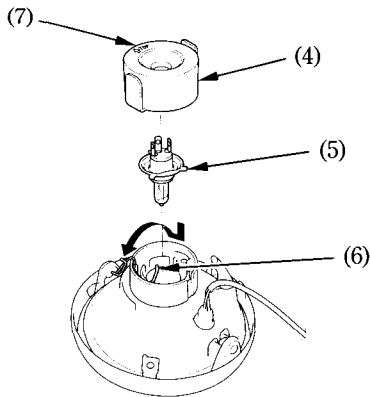
1. Remove the screws (1) from the headlight case.
2. Gently pull the lower end of the headlight (2) forward and remove the headlight.
3. Disconnect the connector (3).
4. Remove the seat rubber (4).
5. Remove the headlight bulb (5) while pressing down on the pin (6).



(1) Screws  
(2) Headlight

(3) Connector

6. Install a new bulb in the reverse order of removal.
  - Install the seat rubber with its "TOP" mark (7) facing up.



(4) Seat rubber  
(5) Headlight bulb

(6) Pin  
(7) "TOP" mark