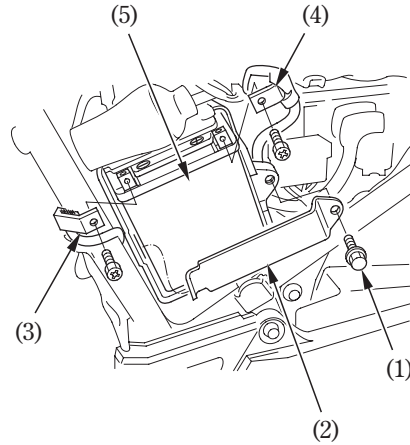




Battery Removal:

1. Remove the left side cover (page 40).
2. Remove the bolt (1) and battery holder (2).
3. Disconnect the negative (-) terminal lead (3) from the battery first, then disconnect the positive (+) terminal lead (4).
4. Pull out the battery (5) from the battery box.



- (1) Bolt
- (2) Battery holder
- (3) Negative (-) terminal lead
- (4) Positive (+) terminal lead
- (5) Battery

