



## ENGINE OIL

### Engine Oil Level Check

Check the engine oil level each day before riding the motorcycle.

The level must be maintained between the upper (1) and lower (2) level marks on the dipstick (3).

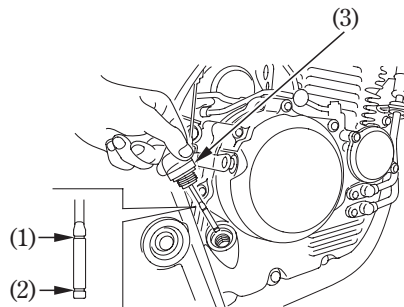
1. Start the engine and let it idle for 3–5 minutes.
2. Stop the engine and hold the motorcycle in an upright position on firm, level ground.
3. After 2–3 minutes, remove the oil filler cap/dipstick (3), wipe it clean, and reinsert the oil filler cap/dipstick without screwing it in. Remove the oil filler cap/dipstick. The oil level should be between the upper (1) and lower (2) level marks on the oil filler cap/dipstick.

4. If required, add the specified oil (see pages 60 – 63) up to the upper level mark. Do not overfill.

5. Reinstall the oil filler cap/dipstick. Check for oil leaks.

#### CAUTION:

**\* Running the engine with insufficient oil can cause serious engine damage.**



- (1) Upper level mark
- (2) Lower level mark
- (3) Oil filler cap/dipstick

